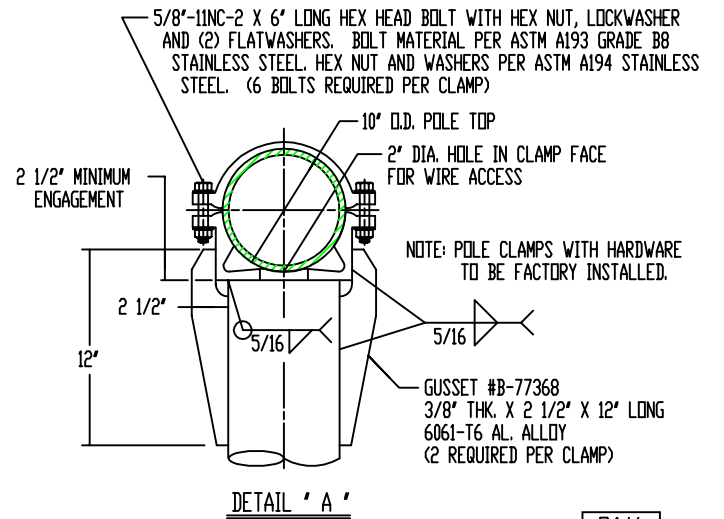
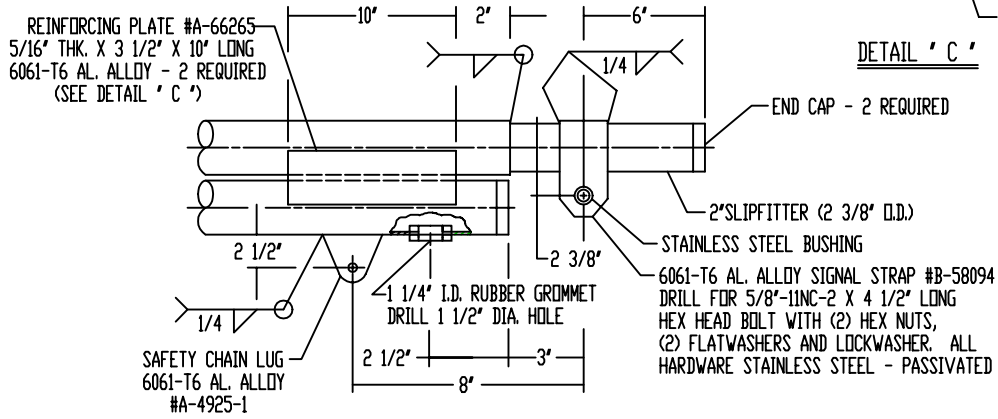
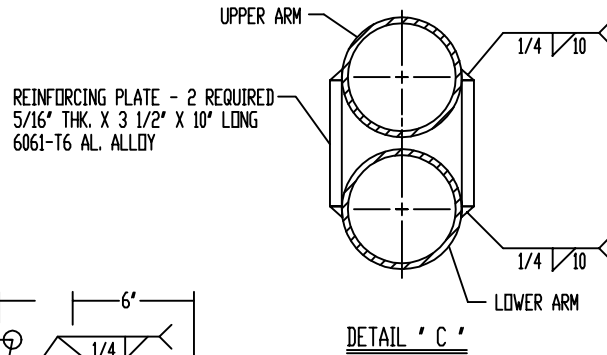


NOTE:
1.- USE 4043 WELD WIRE.
2.- 6063 ASSEMBLY .375 WALL OR LESS TO BE HEAT-TREATED TO T6 TEMPER AFTER WELDING.



P&K

P&K POLE PRODUCTS, INC. 84 Foundry St., Newark NJ				
TITLE BERGEN CODE " MA35-12 "				
MA3570810-70				
DR. M.M.S.	08-16-95	DATE	C-105794	
DR. V.W.W.	08-16-95	DATE		
APP.		SCALE	NONE	
CUSTOMER BERGEN COUNTY DEPT. OF PUBLIC WORKS				